

AZTEC

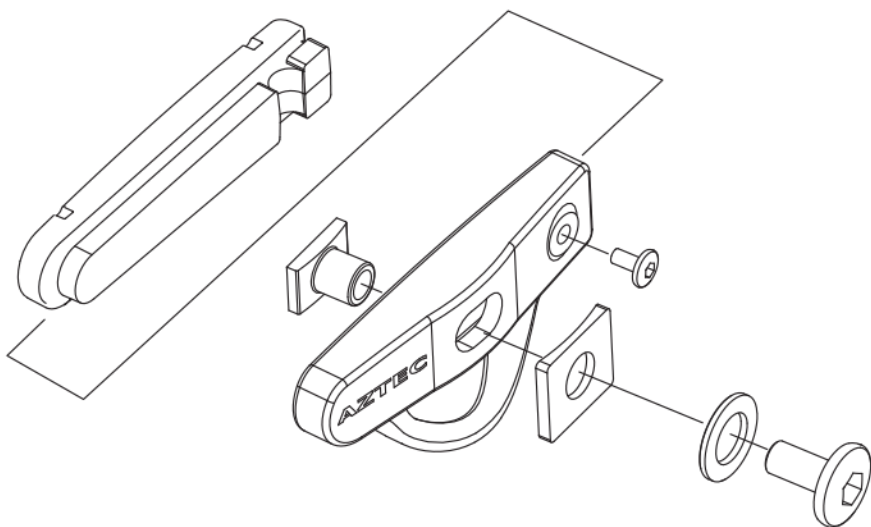
PB4030

MAGS2.0

REPLACEMENT INSERTS

Also compatible with Shimano and similar style brake pad holders

- Legendary Aztec all weather compound provides exceptional speed modulation and control in all weather conditions
- 30% more braking surface than other makes for improved stopping power



Carbon Rims: Pad wear rate will be more rapid; inspect pads frequently and replace cartridge as needed.

SAFETY : IMPORTANT! Brake pads should only be installed by a properly trained bicycle technician. Pad installations should be accordance with Brake Manufacturer's instructions. Incorrect installation can result in accidents causing severe injury or death.

SHIMANO is a registered trademark of Shimano America Corporation



Revolution Cycle Works Company
PO Box 1255
Charlestown RI, 02813
Made in Taiwan
www.revcycleworks.com