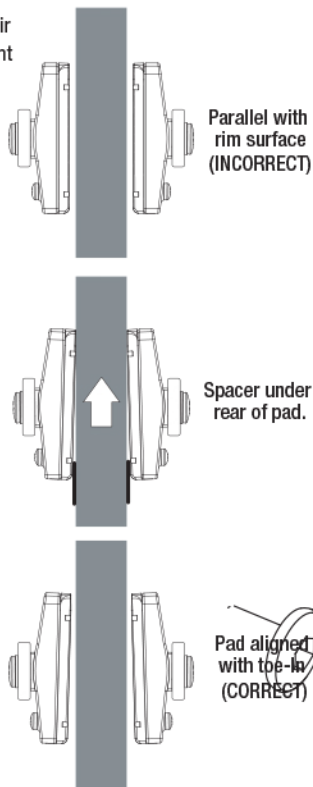
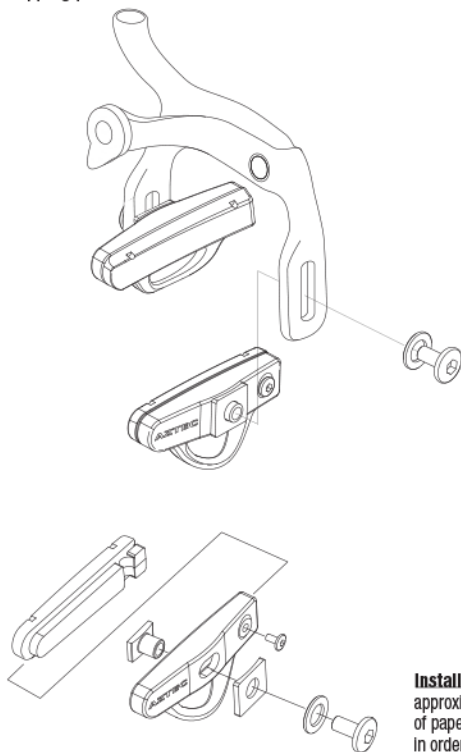


# MAGS2.0

## HIGH PERFORMANCE ROAD PADS

**Shimano compatible, will also install on Campagnolo brakes**

- Legendary Aztec all weather compound provides exceptional speed modulation and control
- Ultra-light Magnesium holder; total weight only 30grams/pair
- Special washer design allows precision installation alignment
- Curved shape to match rim profile
- 30% more braking surface than other makes for improved stopping power



**Installation Tip:** Before final tightening, place a spacer approximately 1/32" or .08mm thickness (around 8 sheets of paper) under the leading edge between the pad and rim in order to obtain the correct 'toe-in' for optimum braking performance and reduced vibration 'squeal'.

Carbon Rims: Pad wear rate will be more rapid; inspect pads frequently and replace cartridge as needed.

**SAFETY : IMPORTANT!** Brake pads should only be installed by a properly trained bicycle technician. Incorrect installation can result in accidents causing severe injury or death.

SHIMANO is a registered trademark of Shimano America Corporation



Revolution Cycle Works Company  
 PO Box 1255  
 Charlestown RI, 02813  
 Made in Taiwan  
[www.revcycleworks.com](http://www.revcycleworks.com)